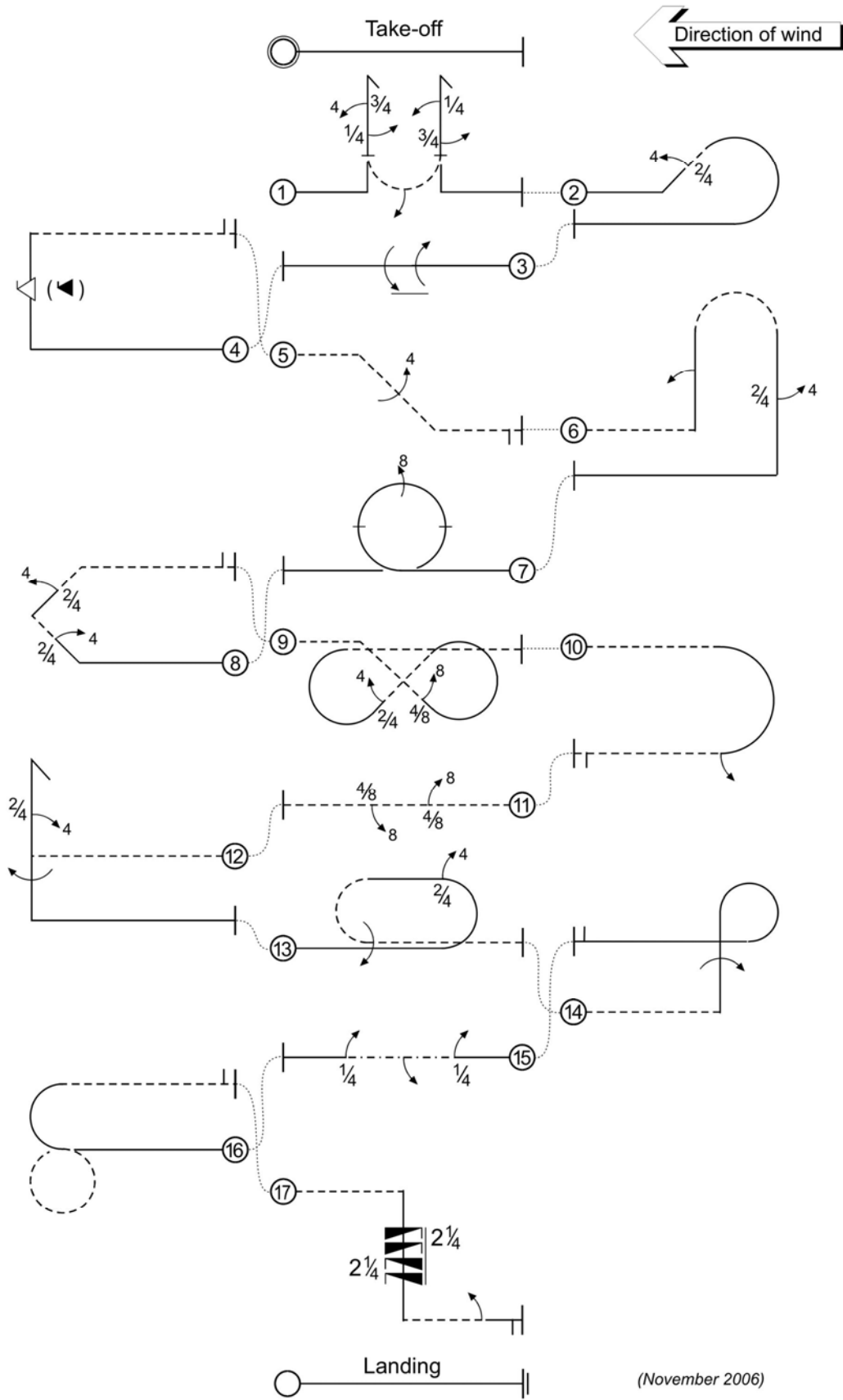


F3A PRELIMINARY SCHEDULE P-11 (from January 2010)



PRELIMINARY SCHEDULE P-11

K-Factor

Take-off sequence (not judged, not scored)

1. Figure M: 3/4-pt roll up, 1/4 roll down, 1/2 outside loop, integrated 1/2 roll, 1/4 roll up, 3/4 roll down	5
2. Half reverse cuban 8, 2/4-pt roll up	3
3. Two slow rolls in opposite direction	3
4. Half square loop, full snap roll up, inverted exit	4
5. 4-pt roll on 45 degrees down, inverted exit	3
6. Push-push-pull humpty bump, 1/2 roll up, 2/4-pt roll down	3
7. Loop, with 8-pt roll integrated over top 180 degrees	5
8. Half square loop on corner, 2/4-pt rolls, inverted exit	3
9. Reverse cuban 8, 4/8-pt roll and 2/4-pt roll in 45 degree downlines, inverted exit	4
10. Half loop with 1/2 roll, inverted entry and exit	2
11. Reverse 8-pt roll (4/8-pt rolls in opposite direction), inverted exit	5
12. Stall turn, 2/4-pt roll up, full roll down	3
13. Double immelmann, 2/4-pt roll and full roll, inverted exit	4
14. Figure 9, full roll up	2
15. Opposite knife-edge	5
16. Figure 8, full outside loop, 1/2 loop on top, inverted exit	2
17.2 1/4 inverted spins in opposite directions, 1/2 roll exit	4

Landing (not judged, not scored)