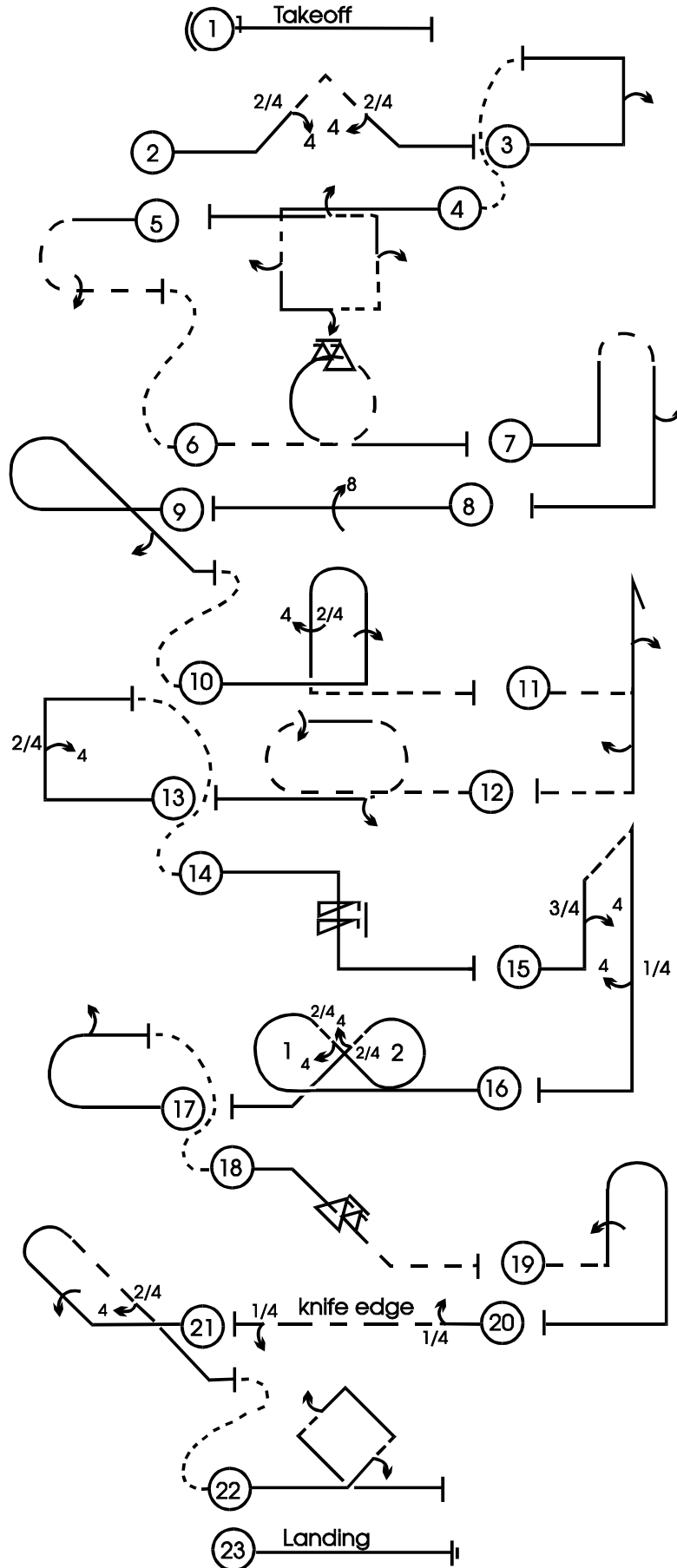


SCHEDULE "D"



F3A Program D

