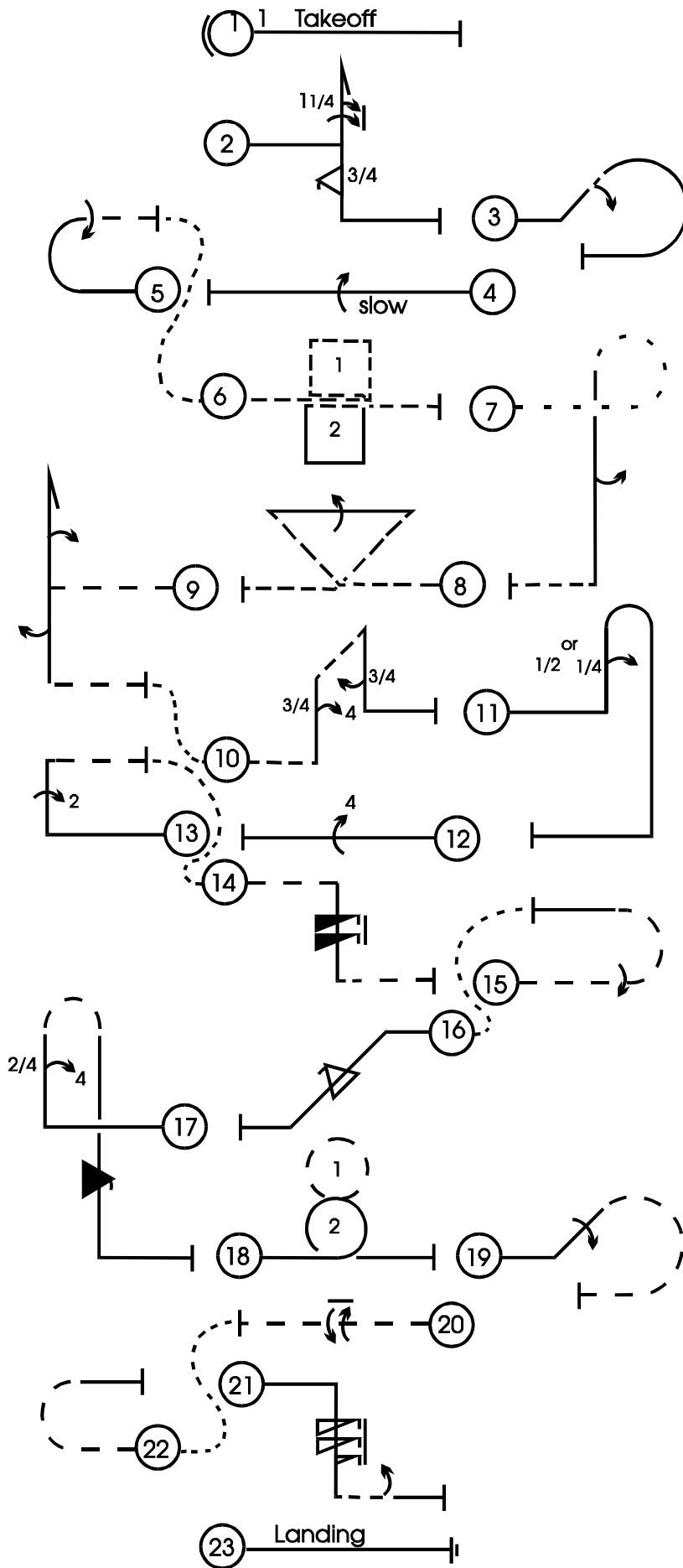


# SCHEDULE "E"



# F3A Program E

